

PALCO™

FASTFIT



Uniclass L412:P41	EPIC D122:X412	
CI/SfB	(32.5)	Xh2

## Ceiling & Wall Access Panels

Acoustic access panels suitable for most constructions.

Available Fire rated.

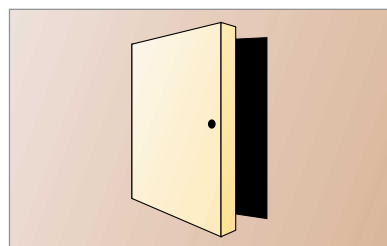
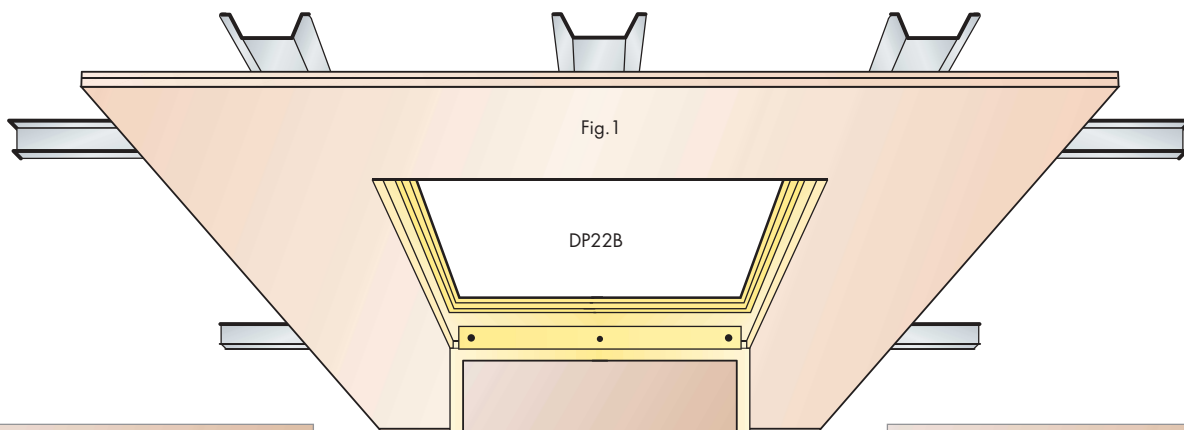


Fig. 2 Panel Ref DP22B (Wall Application)

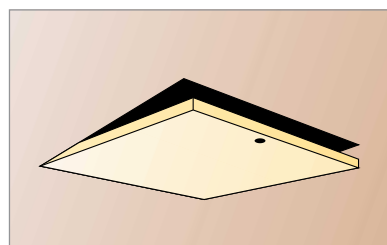


Fig. 3 Panel Ref DP22B (Ceiling Application)

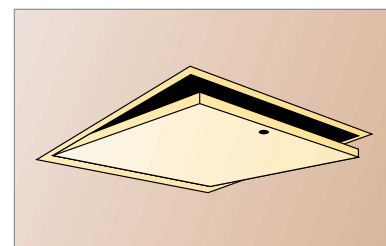


Fig. 4 Panel Ref DP22C (Ceiling Application)

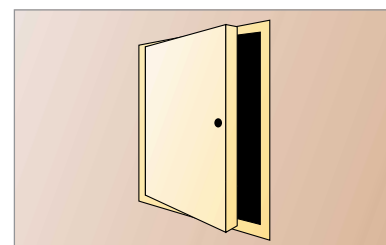


Fig. 5 Panel Ref DP22C (Wall Application)

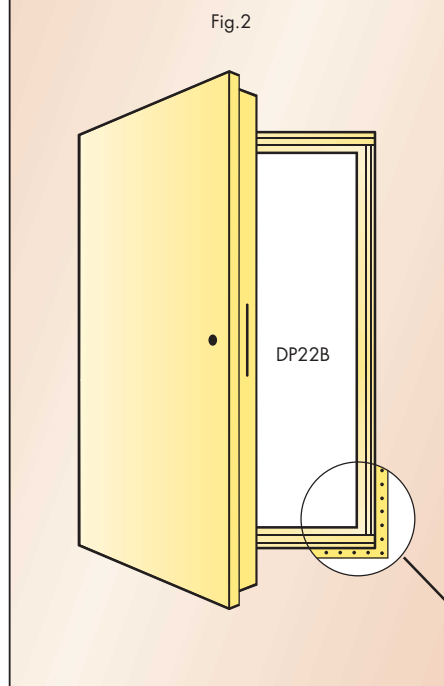
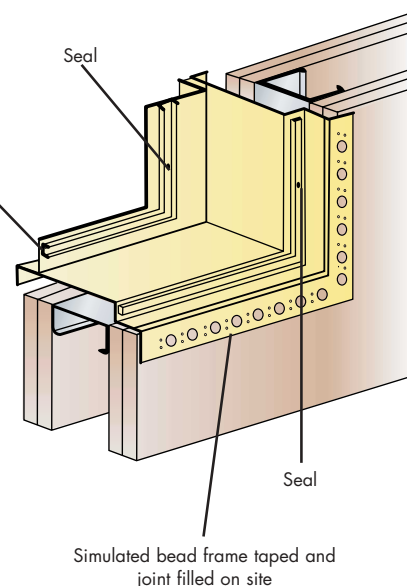


Fig. 2



### Introduction

Fastfit Range 22 Acoustic steel panels provide protected openings in wall and ceiling constructions for access to building engineering services. The panels have been developed for use with all types of wall and ceiling constructions. They are equal in operation, appearance and robust quality to similar steel products in the FastFit range. FastFit Range 22 Acoustic access panels are designed to reduce the transfer of airborne sound where a reduction is required through ceilings and wall constructions.

#### DP22B 21/F

Combines a flush metal door with a simulated beaded frame for use in all wall or ceiling constructions and is a 1 hour fire rated access panel which can provide up to 21 db Rw sound reduction.

#### DP22C 21/F

Combines a flush metal door with a 25mm wide picture frame and is a 1 hour fire rated access panel which can provide up to 21 db Rw sound reduction and used as above.

#### DP22B40 and DP22B40/F

Combines a flush metal door with a simulated beaded frame for use in all wall or ceiling constructions which can provide up to 40 db Rw sound reduction.

#### DP22C40 and DP22C40/F

Combines a flush metal door with 25mm wide picture frame for use in all wall or ceiling constructions, which can provide up to 40 db Rw sound reduction.

1 Hour - max size 2000x900

2 Hour - max size 900x600

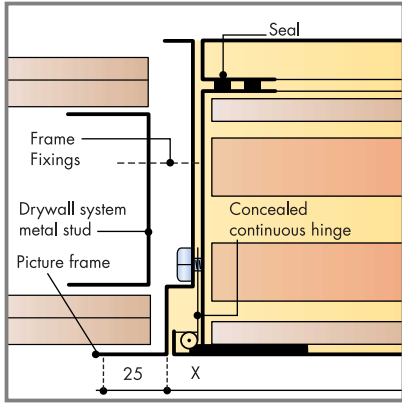


Fig. 7 Detail **A**

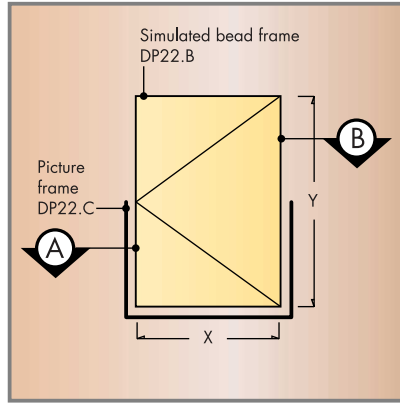


Fig. 8 Panel Ref's DP22B & DP22 C Ceiling Application

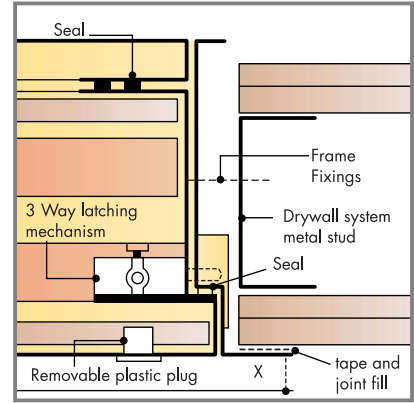


Fig. 9 Detail **B**

**DP22B46**

Combines a flush metal door with a simulated beaded frame for use in all wall or ceiling constructions which can provide up to 46 db Rw sound reduction.

**DP22C46**

Combines a flush metal door with 25mm wide picture frame for use in all wall or ceiling constructions, which can provide up to 46 db Rw sound reduction.

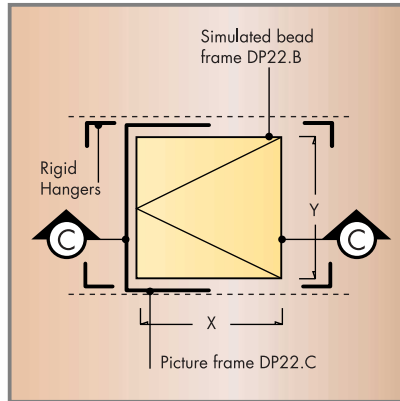


Fig. 10 Panel Ref's DP22B & DP22 C

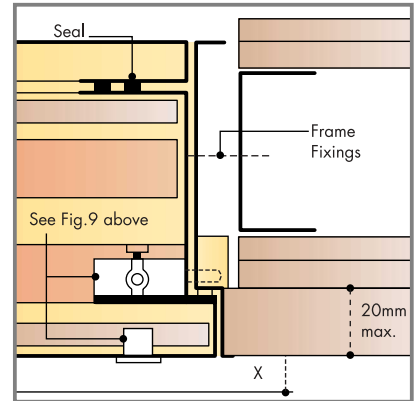


Fig. 11 Alternative Frame Formation

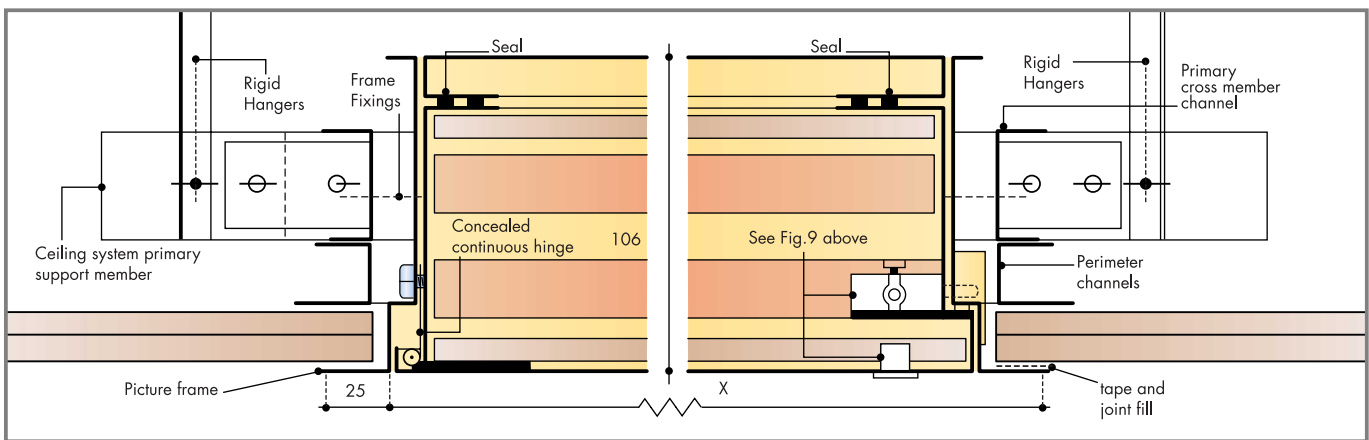


Fig. 12 Section **C** **C** Ceiling Application

**Important information**

Depth requirements (dimensions from front face of door to back of rear frame)

DP22B 21/F & DP22C 21/F	50mm
DP22B 40/F & DP22C 40/F	68mm
DP22B 46 & DP22C 46	106mm

Finish: Polyester powder coated RAL 9010 or dust primed for on site decoration.

Other options: All panels in this range can be supplied in stainless steel at extra cost.

**Structural opening sizes required**

DP22B 21/F & DP22C 21/F	W + 5mm	H + 5mm
DP22B 40/F & DP22C 40/F	W + 5mm	H + 10mm
DP22B 46 & DP22C 46	W + 5mm	H + 10mm



1a Bridle Close, Finedon Road Industrial Estate,  
Wellingborough, Northamptonshire NN8 4RN, England  
Tel +44 (0) 1933 228500 Fax +44 (0) 1933 228580  
Email info@palcouk.com Web www.palcouk.com