

PALCO™

FASTFIT

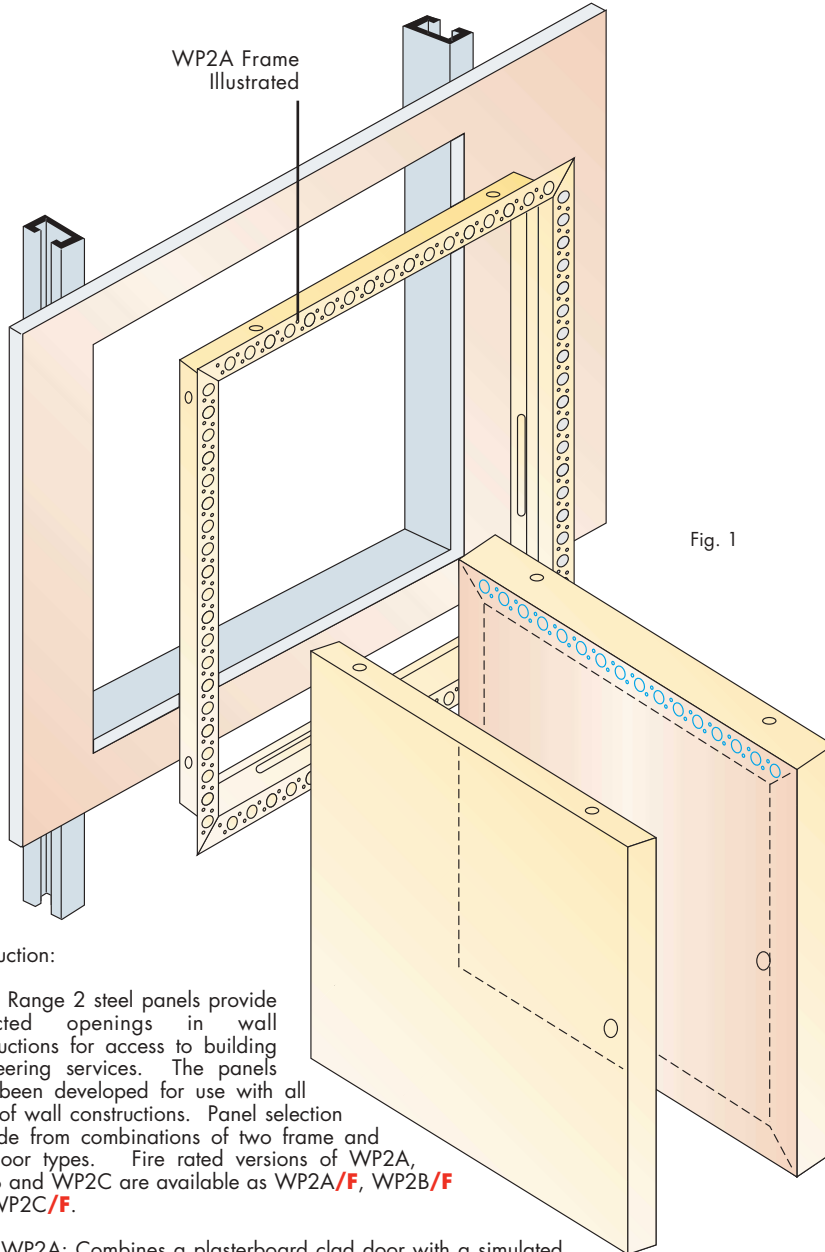


Uniclass L412:L384: N3243:P41	EPIC D122:C43: X412:Y423
CI/SfB	(32.5) Xh2 (K2)

## Wall Access Panels

Designed for both wet and dry constructions.

Available fire rated.



### Introduction:

FastFit Range 2 steel panels provide protected openings in wall constructions for access to building engineering services. The panels have been developed for use with all types of wall constructions. Panel selection is made from combinations of two frame and two door types. Fire rated versions of WP2A, WP2B and WP2C are available as WP2A/**F**, WP2B/**F** and WP2C/**F**.

Panel WP2A: Combines a plasterboard clad door with a simulated edge bead and a simulated beaded frame, to give a flush finish when "taped and jointed". For use in walls constructed from plasterboard screw fixed to metal or timber studs. A picture frame version is available on request.

Panel WP2B: Combines a flush metal door with a simulated beaded frame for use in all wall constructions.

Panel WP2C: Combines a flush metal door with a 25mm wide picture frame and used as above.

All doors in the range have concealed hinges or pivots with key operated locks for outward opening. They are removable for repair purposes or to assist installation. The metal faced doors are either polyester powder coated RAL 9010 or dust primed only for on site decoration. The plasterboard faced doors are factory clad for joint filling on site. Fire rated versions are available as WP2A/**F**, WP2B/**F** and WP2C/**F**.

### Manufacture:

Panel WP2A: Door leaf 0.9mm thick electro-galvanised mild steel tray 25mm deep with simulated edge bead formation incorporating 0.9 thick plasterboard.

WP2B and WP2C: Door leaf 0.9mm thick electro-galvanised mild steel flush faced tray 23mm deep.

Panels WP2A and WP2B: Frame: 1.2mm thick electro-galvanised mild steel with simulated edge bead formation.

Panel WP2C: Frame: 1.2mm thick electro-galvanised mild steel - Continued overleaf.

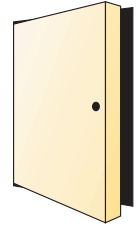


Fig. 2 Panel Ref. WP2A/F

Plasterboard clad door with simulated edge bead and simulated edge bead frame for joint fill on site and fixed hinge. Snap in plastic plug and collar in keyhole (non fire rated) and steel plug screwed into keyhole (fire rated).

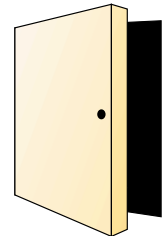


Fig. 3 Panel Ref. WP2B/F

Flush metal door with simulated edge bead. Snap in plastic plug and collar to keyhole.

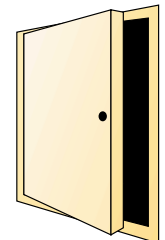


Fig. 4 Panel Ref. WP2C/F

Metal door with picture frame Snap in plastic plug and collar to keyhole.

Finish: Polyester powder coated RAL 9010 or dust primed for on site decoration.

WP2A: Fixed Hinge

WP2B and WP2C: Continuous steel hinge bolted to frame.

Budget locks fitted as standard on all models.

WP2A – Plastic plug and collar – WP2A/F – steel screw in keyhole.

WP2C and WP2B plastic plug and collar in keyhole.

WP2B/F and WP2C/F as as WP2B and WP2C but incorporating sealing plates to all sides of frame plus Megadeco board backing to door trays.

Options:

Infilled insulation, double doors, fully perforated doors, grille apertures. Special requirements such as stainless steel, special colours or paint finish, lift out or inward opening available on request. For alternative locks see the Lock Section.

Stock sizes available

Single door leaf

300 x 300

450 x 450

600 x 600

All other sizes are available on request.

Design Consideration:

Structural aperture sizes for panels required:

All WP2 panels:  $W+5 \times L+5$

Operation:

All standard FastFit Range 2 panels incorporate budget locks operated by keys (supplied by PALCO) after removing plugs from keyholes.

Ordering:

Use product code (ie. WP2A), quote dimensions, finish, hinge side and any special requirement.

Refer to PALCO

Technical Services:

We are pleased to advise on the use of our standard products at any stage of a building contract and to provide designs for special applications.

Reference:

We reserve the right to modify the products and specifications in keeping with a policy of continuous improvement and development.

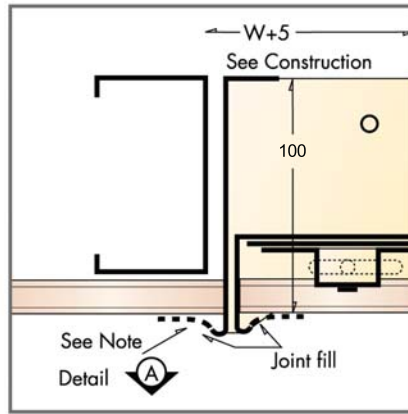


Fig. 6 Note: As shown in Fig.9

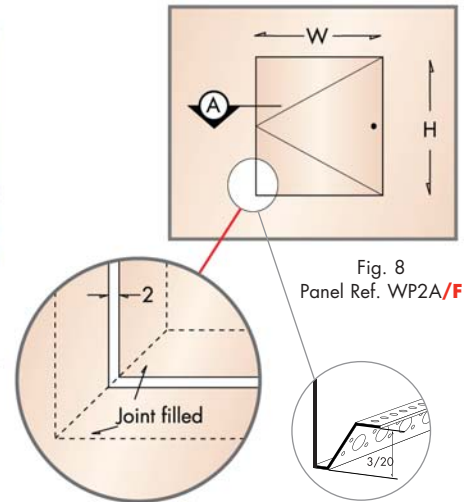


Fig. 8  
Panel Ref. WP2A/F

Fig. 7

Fig. 9  
Note: Frame detail available on all variations

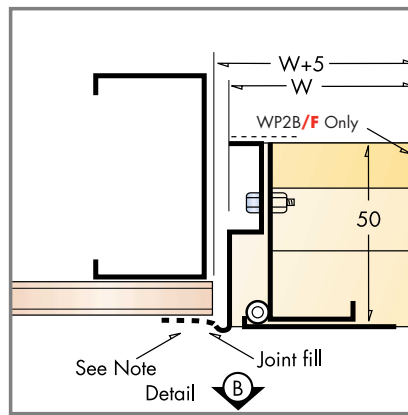


Fig. 10 Note: As shown in Fig.9

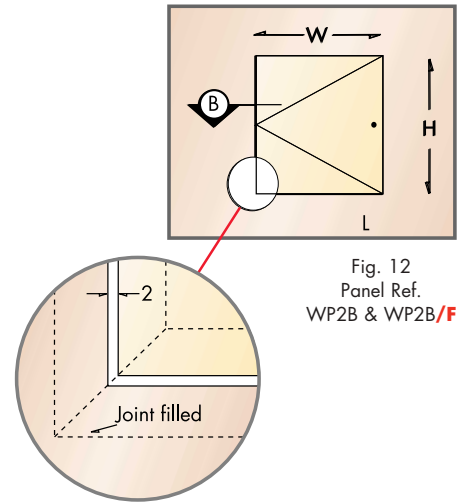


Fig. 11

Fig. 12  
Panel Ref. WP2B & WP2B/F

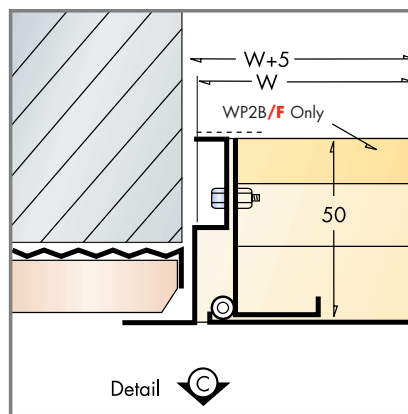


Fig. 13

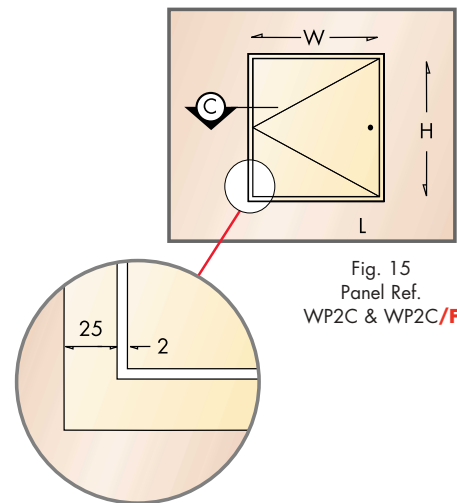


Fig. 14

Fig. 15  
Panel Ref. WP2C & WP2C/F